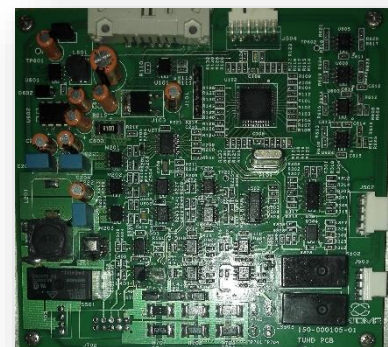
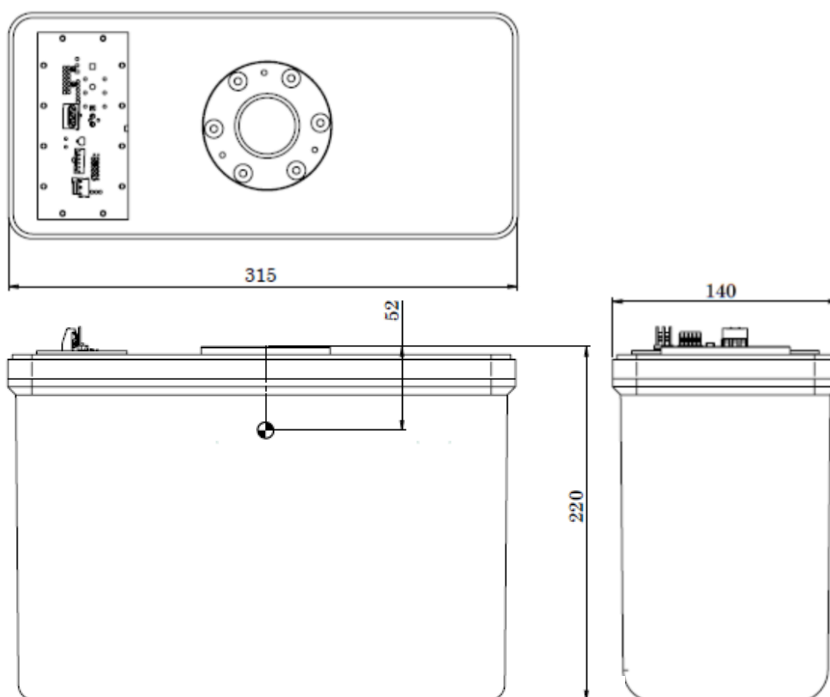
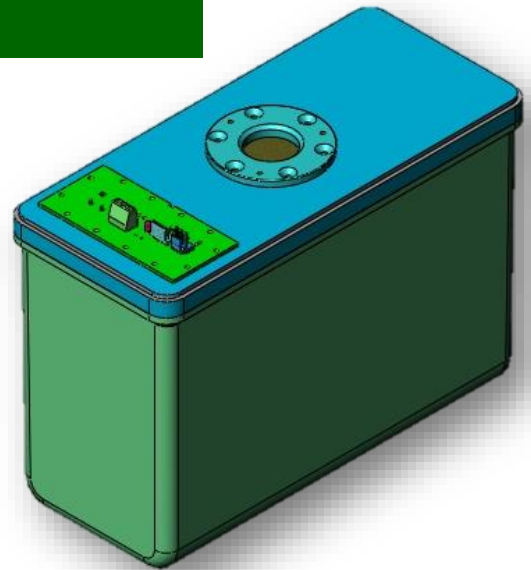


C-ARM X-RAY GENERATOR HIGH FREQUENCY

TIGGER Series C-Arm Generators

- High Frequency Inverter
- Front End voltage stabiliser, PFC and In-Rush protection
- Analog or Digital interface/control
- Aluminium cast tube head
- Dual focus stationary anode tube insert
- MOSFET Inverter

| | |
|---------------------|-----------------------|
| Tube Voltage Range | 40kV – 110kV |
| Tube mA (Fluro) | 0.1mA – 6mA |
| Pulse Fluro | 15FPS @ 10mA |
| HV Ripple Frequency | > 100kHz |
| Tube Insert | Stationary Dual Focus |
| Radiography (max) | 4kW / 100mA |
| kV Ripple | < 3% |
| kV Rise Time | < 1mS |
| Input | Single Phase 230V |
| Input Current | 15A rms |
| Tube Head Weight | < 19kG |



All data contained here is indicative and subject to changes

IATOME

www.iatome.in