



MIX4K0110B100MRF

MEDICAL INTEGRATED X-RAY GENERATOR  
X-Ray Source For Medical Equipment

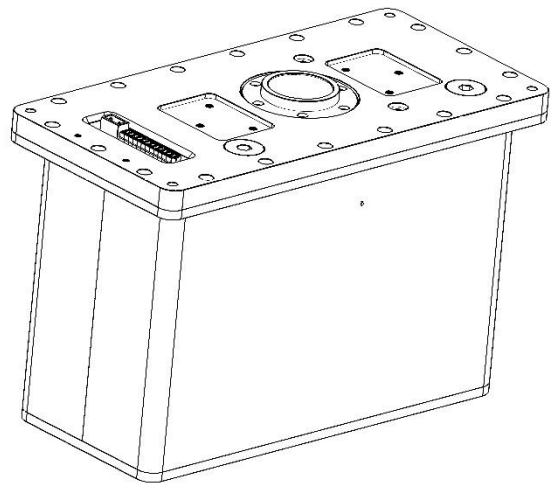
ARIMA MIX Series Integrated X-Ray Generators are compact x-ray sources. The high voltage circuits and the x-ray tube insert are encased in a single oil insulated vessel. These are constant potential type sources that are energised by high frequency inverter circuits. MIX series is designed for use in medical radiography and fluoroscopy equipment such as mobile x-rays and c-arm equipment.

Features

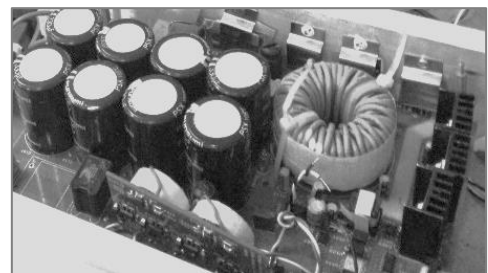
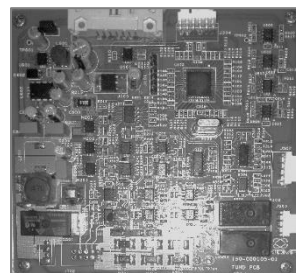
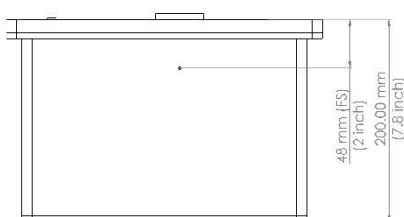
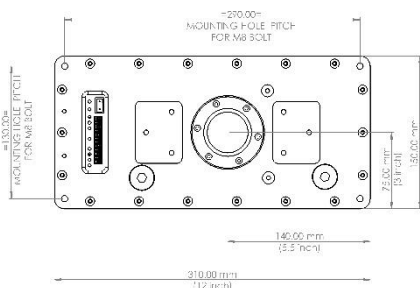
- Constant Potential (DC) Output
- MOSFET High Frequency Inverter
- Analog or Digital Control Interface
- Aluminium Tube Head Vessel
- Dual Focus Stationary Anode Tube Insert

Specifications

OUTPUT KV	40KV – 110KV, 2%, BIPOLAR
TUBE MA	0.1mA – 6mA SF, 10mA – 100mA LF
MAX POWER	660W SF, 4000W LF
TUBE INSERT	0.6mm SF/1.8mm LF STATIONARY ANODE
TUBE LEAKAGE	< 1mGy in 1 Hr, <100mR/hr
TUBE HEAD WEIGHT	< 15kg
INPUT VOLTAGE	230VAC, 15A
THERMAL CAPACITY	42kJ for Tube Insert
CONTINUOUS POWER	40W
CONTROL	DIGITAL RS485



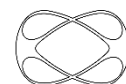
Dimensions



MIX Series Integrated X-Ray Generators can be customised to suit specific system performance and price requirements. Contact for options available on tube inserts and control interfacing.

Designed and Manufactured in INDIA  
ARIMA X-RAY GENERATORS & CONTROLS  
COIMBATORE, INDIA

| info@arima.in | (+91) 0422-4220264 |  
| www.arima.in |



IATOME